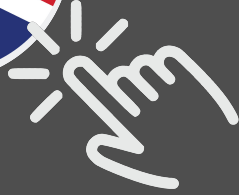
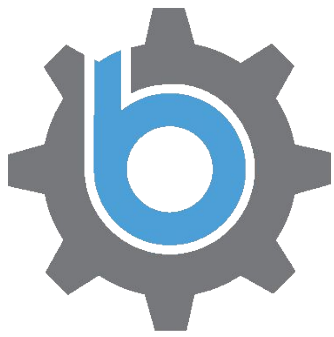




# K-Power™

Control Module





# Bixpy

LIFE BOOSTED



User Manual and Safety Guide

**Bixpy K-Power™ Control Module - Adventure Series**



*Thank you for purchasing a Bixpy Product. You are now part of a family of adventure seekers who own one of the most advanced, versatile and portable personal water propulsion systems in the world.*

*Bixpy products combine the latest in motor and battery technology along with finely tuned mechanical engineering to give you gadgets that redefine the way you interact with the elements. As such, they take a bit of learning and require some extra care. There are also hidden features and trouble-shooting information that are critical to the operation and well being of your Bixpy device.*

*So, before anything else, and definitely before you hit the water, PLEASE read through this User Manual and learn how to use and take care of your Bixpy Power Pack. Misuse and lack of care can be dangerous to you and those around you, void your warranty and render your device useless.*



Using a motorized propulsion system, thruster, or battery-powered device on the water comes with inherent risks. These risks can't always be predicted or avoided and may include serious injury, death, or damage to your equipment or other property. Hazards may involve loss of control, collisions with other watercraft or swimmers, contact with objects above or below the water, wildlife, or changing environmental conditions.

By choosing to use a Bixpy product, you accept these risks. It is your responsibility to operate your watercraft safely, follow all applicable boating laws and water safety guidelines, and properly use and maintain your Bixpy product to help reduce potential dangers. Because every on-water situation is different and often unpredictable, Bixpy cannot guarantee the safety or performance of its products under all conditions.

## YOUR RESPONSIBILITY

By purchasing or using any Bixpy product or accessory, you acknowledge and agree that:

- You understand the risks involved and choose to use the product voluntarily.
- You will use good judgment and operate your watercraft responsibly.
- You will read and follow all safety instructions provided in this manual, on the Bixpy website, and in any related materials.

## WAIVER AND RELEASE

To the fullest extent allowed by law, you agree that:

- You are responsible for your use of Bixpy products.
- Bixpy (including its employees, partners, and resellers) will not be held liable for any injury, death, or property damage resulting from the use or misuse of its products.
- You agree not to bring claims against Bixpy related to such incidents.
- You also agree to cover any costs or claims brought against Bixpy as a result of your use or misuse of the product.

## LEGAL NOTES

- This agreement is intended to be as broad as the law allows. If any part is found to be unenforceable, the rest will still apply.
- By using Bixpy products, you are giving up certain legal rights.

### California Residents:

You also waive rights under California Civil Code Section 1542, which states:

*A general release does not extend to claims which the person does not know or suspect to exist at the time of the release.*

## INSURANCE

Your insurance may not cover incidents involving motorized watercraft or related equipment. We recommend checking with your insurance provider before use.

## IMPORTANT

**By purchasing or using a Bixpy product, you confirm that you have read, understood, and agreed to these terms.**

**If you do not agree, do not use Bixpy products.**



Please read and keep these warnings for future reference. Failure to safely operate and care for your Bixpy products may result in loss of warranty, property damage, serious injury, or death.

**NEVER** travel farther than you can safely swim, paddle, or pedal back on your own. Like any electronic device, your Bixpy product may stop working unexpectedly. Always use it in a way that ensures your safety if it does.

If the thruster fails to stop, remove it from the water as soon as possible and disconnect power. In an emergency, abandon the device if necessary—your safety comes first.

## IMPORTANT SAFETY GUIDELINES

- **NEVER** charge batteries unattended
- **NEVER** operate under the influence of drugs or alcohol
- **NEVER** expose bare connectors to water; always use connector caps when not connected
- **NEVER** use lubricants, WD-40, Loctite, or similar products on any Bixpy components
- **NEVER** connect lithium batteries in parallel (risk of fire or explosion)
- **NEVER** use Bixpy K-Power™ to power other devices or motors
- Use by children only under adult supervision
- Always wear an approved Personal Flotation Device (PFD)
- Rinse with fresh water after use in saltwater
- Store between 0°C–55°C (32°F–131°F)
- Operate between -20°C–60°C (-4°F–140°F)
- Do not use harsh chemicals for cleaning
- Do not open, modify, or tamper with any Bixpy product (voids warranty and may cause fire or explosion)
- Do not leave batteries or the K-Power module in direct sunlight or inside a parked vehicle for extended periods

Like all devices, failure, damage, or battery drain can occur. Always operate in a way that ensures you and others remain safe if this happens.

User manuals are always available at: [www.bixpy.com/guides](http://www.bixpy.com/guides)

By using any Bixpy product, you agree to the **Safety, Responsibility and Release** section in the full User Manual and at: [www.bixpy.com/legal](http://www.bixpy.com/legal)

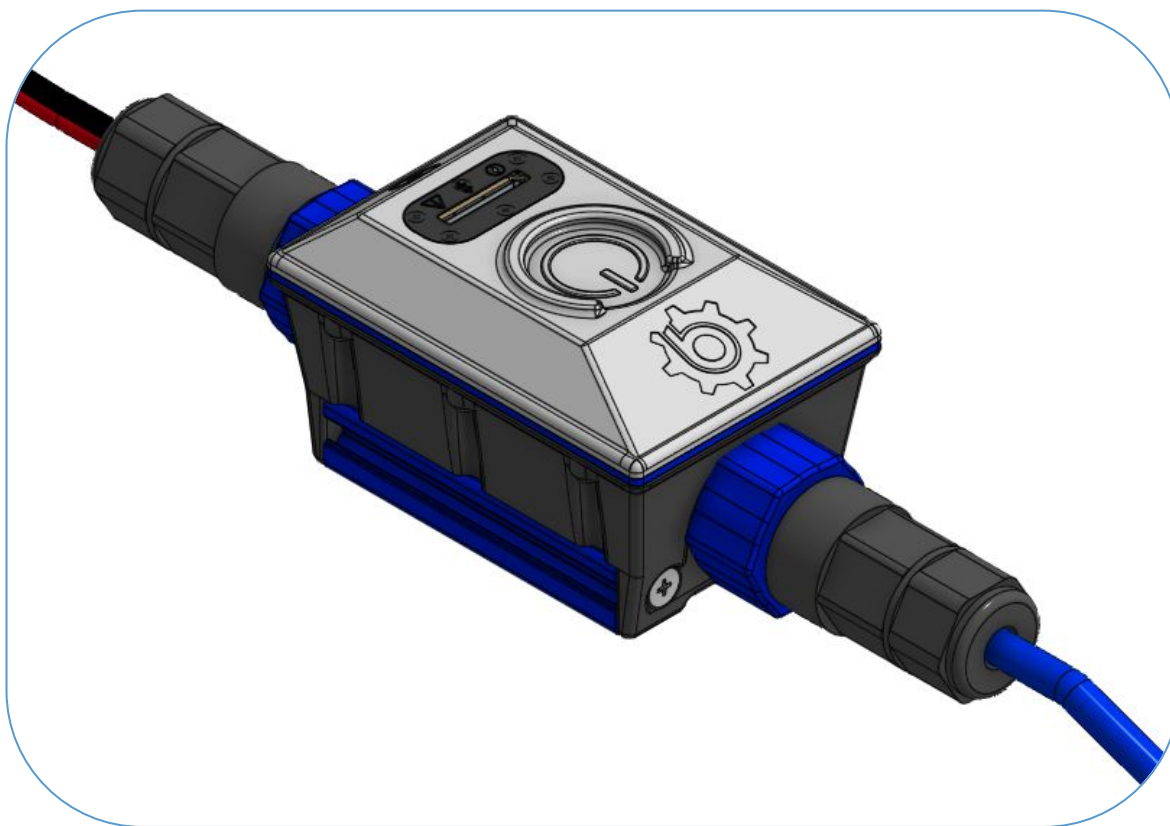


The first few times you connect your device, the connectors may feel tight as they “break in.” **Do not** use force, pliers, or tools to mate the connectors. Instead, be patient and use a towel for better grip if needed. Over-tightening will **not** improve the water seal, and damaged connectors are not covered under warranty.

As a best practice, apply dielectric grease to the connectors before mating—especially when using your equipment in or near saltwater.

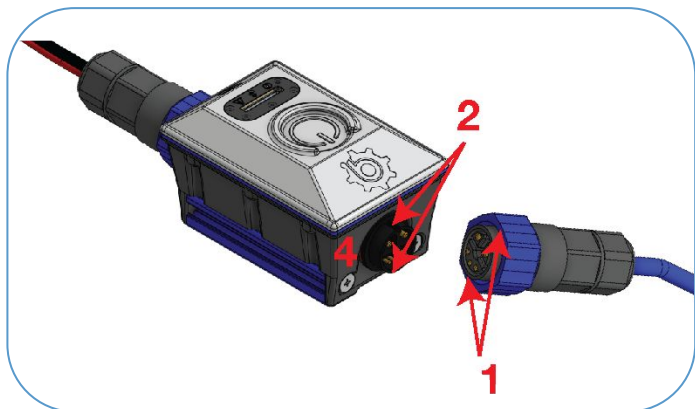
The connector caps on your K-Power housing and motor cables are designed to protect connectors during storage and transport. Remove any caps from connectors that will be submerged, as they may come loose and be lost in the water. Always ensure the caps on charging and main power output ports are securely installed when near water.

**Note:** Never cap and store a wet connector.





## CONNECTING YOUR MOTOR TO YOUR K-POWER™ CONTROL MODULE



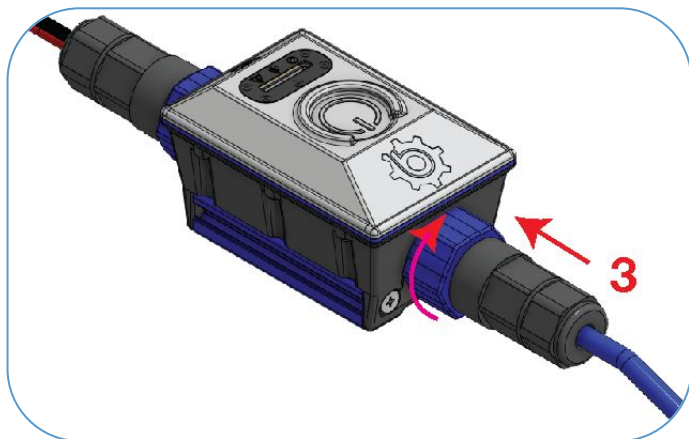
Align the two tabs on your motor connector (1) with the two notches (2) on the output connector of your K-Power™ Module (4).



*Hint: Look for the two tabs inside your connector nut. Always double check that your red o-ring is in place before mating your connector. Use dielectric grease to make mating easier and prolong the life of your connectors by reducing corrosion. Align the two tabs on your motor connector (1) with the two notches (2) on the output connector of your K-Power™ Module (4).*



*Hint: watch this instructional video: [www.bixpy.com/connect](http://www.bixpy.com/connect)*



Push your adapter connector (3) into the Module's motor connector (4).

Rotate your connector nut 175° until you feel the nut "click" and lock into place.



**WARNING: YOUR BIXPY CONNECTORS ARE ONLY WATERPROOF WHEN MATED PROPERLY and ONLY SPLASH PROOF WHEN EXPOSED!!!**  
Always mate or cap your connectors to protect them against shorts and corrosion.



Your Bixpy Bluetooth remote is mated to your K-Power Module using Bluetooth technology. Only Bixpy Remotes with the Bluetooth logo will be able to sync to your K-Power Module. Older Bixpy Remotes will not sync to your K-Power Module.

To check whether your Remote and Module are already synced, activate your K-Power using your kill switch. Then press the stop button only. If you hear a series of beeps then your remote is already synced to your K-Power Module.

To sync your remote to your K-Power Module, activate your Module by supplying it with power. Within 20 seconds after you activate your K-Power Module, follow the key sequence below in rapid succession:

Press Stop	3 times	⬡ ⬡ ⬡
Press Forward	1 time	⬡
Press Reverse	1 time	⬡
Press Stop	1 time	⬡

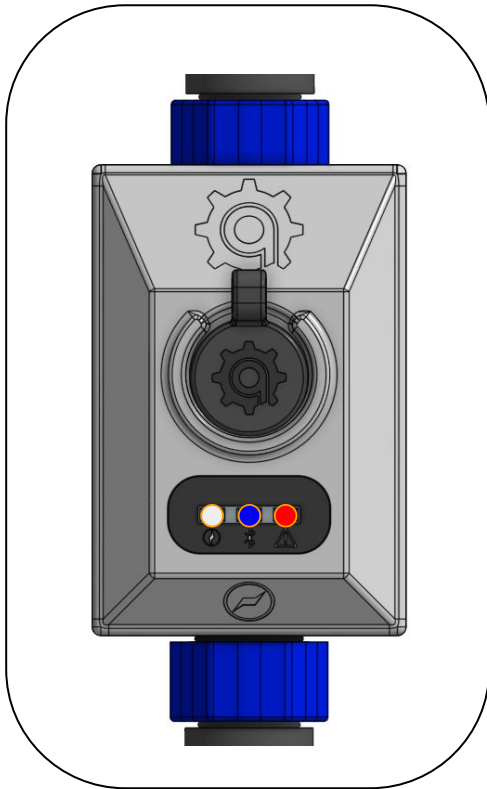
If syncing is successful you will hear a series of beeps from your battery on the last button press. If not remove the kill switch wait 10 seconds and try again.

The Bixpy Remote control is equipped with a watch battery CR2032 which is a readily available battery online or at many retail stores. If the red LED light on your remote is very weak or not lighting up when you press buttons you will need to replace the battery. Please [click here](#) (or check: [www.bixpy.com/remotebattery](http://www.bixpy.com/remotebattery)) to see a video on how to replace your remote battery.



Your Bixpy K-Power Module turns on and off using the provided magnetic Kill Switch with leash. Wear your Kill Switch and leashes on your body at ALL TIMES in case of accidental man overboard.

The White LED on your Module will turn on when first plugged into a power source. This is normal. Your Module is not, however, fully powered and able to run your motor until you place the Kill Switch on the Power area.



Placing your kill switch on your Module will turn your system ON indicated on LED indicator window by the White LED.

An active Module will display a White LED for power and a Blue LED for Bluetooth connectivity. The Blue LED will eventually turn off once your booting process is complete, but your module will be powered with the Kill Switch in place.

The Blue LED will remain on for 20 seconds after initial power. This is your connectivity window and your opportunity to sync a remote to your module if necessary or connect the module to a mobile APP.

With the Kill Switch engaged and your motor connected and your remoted synced, you will be able to run your motor using your Bluetooth remote.

Press the forward button on your remote to accelerate with 13 speeds forward or decelerate with 3 speeds in reverse.

Use the Stop Button on your remote to stop the motor.



Your Bixpy K-Power™ is equipped with a sophisticated power management system to provide efficient power to your motor and help keep you safe and provide feedback for your system. The table below is a list of the LED indicator functions, what they mean and how you can address them.

LED Lights		What it means	What you can do
SOLID WHITE		Module is powered and ready to use and run your motor	Placing your kill switch will turn on your system and you'll be ready to run your Bixpy motor
SOLID WHITE + RED		<ul style="list-style-type: none"> <li>• Motor disconnected</li> <li>• Connection problem</li> <li>• Cabling problem</li> </ul>	<ul style="list-style-type: none"> <li>• Check your connection</li> <li>• Check your connectors for damage</li> <li>• Check your motor cable for damage</li> </ul>
SOLID RED		<ul style="list-style-type: none"> <li>• Low Battery Voltage</li> </ul>	Replace battery with 24V battery or charge battery
SOLID WHITE + FLASHING RED		<ul style="list-style-type: none"> <li>• Motor Controller Damaged</li> <li>• Motor is drawing too much power - overload</li> </ul>	<ul style="list-style-type: none"> <li>• Check that your propeller is clear and free of debris and try to run again.</li> <li>• Check your motor connectors for pin damage from electrical arcing</li> </ul>
FLASHING ALL		This indicated a power source/battery connected that is higher than 30V.	Remove power source immediately and replace with a 24V power source
SOLID WHITE + SOLID Blue		Module is broadcasting Bluetooth signal - ready for remote sync or phone APP connect	Your module is ready to be paired with your phone through the Bixpy APP or your Bixpy Bluetooth remote.
SOLID WHITE + SINGLE FLASH BLUE		Module is communicating with your remote - Single flash for speed change with audible beep	Everything is working as it should be!



*If your Module is giving you an error light or warning signal, you can try to clear the error using your remote (only once you have eliminated the cause of the error).*

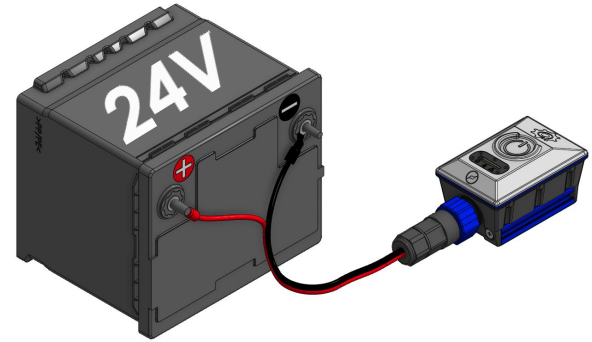
*Press your stop button, once and then immediately again and hold until you hear a beep and your error clears.*



K-Power is designed for use with 24V battery systems only. The battery must provide an operating voltage between 22V and 30V and must be capable of supplying at least 15 amps of current.

For the best overall performance, Bixpy recommends using a 24V LiFePO4 battery. 24V lithium-ion batteries are also acceptable and work well.

For a list of recommended batteries, visit: [www.bixpy.com/24V](http://www.bixpy.com/24V)



### GOOD TO KNOW:

SLA / lead acid batteries are not recommended. These batteries typically experience a larger voltage drop under load, which may cause the system to enter Safe Mode and reduce motor performance.



### WARNING:

Using a battery below 22V may cause the system to shut down or enter Safe Mode. Using a battery above 30V may damage the K-Power module and motor.

## Table of battery requirements for the K-Power™

Requirement	Specification
Battery Type	24V nominal battery system
Operating Voltage	22V to 30V
Current Capability	Minimum 15A continuous working output
Recommended chemistry	24V LiFePO4 or lithium-ion
Connector types on K-Power Cable	6mm O ring connectors
Negative (-)	To <b>BLACK</b> wire on K-Power Cable
Positive (+)	To <b>RED</b> wire on K-Power Cable



The Bixpy APP allows you to connect to your K-Power™ and your Bixpy remote (V4 and higher) and keep your devices updated with the latest and most reliable firmware. Updating your firmware is usually the best way to troubleshoot your product.

Updating your device is easy. Follow the steps below to connect to your device and update your firmware.

ON YOUR PHONE	ON K-POWER™	ON REMOTE (V4 or later)
Open the Bixpy APP		
Go to the "DEVICES" tab		
Press the blue "DISCOVER" button on the bottom right.	Plug your K-Power to your battery - your K-Power will automatically broadcast a pairing signal for 20 seconds.	Press and hold the STOP button on your remote for 10 seconds. If successful, your remote will be in pairing mode.
Look for your device on the list of discoverable devices	Your K-Power should appear in a list of items that you can connect to on the APP.	Your Bixpy Remote should appear in a list of items that you can connect to on the APP.
When you see the device to which you want to connect, press that device's icon.	Your K-Power will connect to your phone app shortly	Your Bixpy Battery will connect to your phone app shortly.
Once connected, you will see your device's status and whether a newer firmware is available. If available, upgrade your device by pressing "UPGRADE AVAILABLE".	Leave your device untouched and near your phone until the update procedures are complete. Once completed your device will automatically re-connect to your phone APP and indicate that it is "UP TO DATE".	Leave your device untouched and near your phone until the update procedures are complete. Once completed your device will automatically re-connect to your phone APP and indicate that it is "UP TO DATE".
If this procedure fails for whatever reason, reset your APP and start the process over.		
To see a video demo of the above procedure, press the Green "INFO" button on the bottom right corner of your APP.		



Always keep your products up to date with the latest firmware by using the Bixpy APP.

Scan this code to download the Bixpy APP on your phone.



Your K-Power™ Control Module has been designed with some really cool features that make it a unique Outboard battery best suited for small watercraft.

## YOUR KILL SWITCH

The kill switch is there to protect you in case of an accident where you and your vessel are separated. Always ensure that the kill switch is attached to you in some way. That way if you and your vessel part ways the motor stops immediately. Not wearing your Kill Switch can lead to serious injury or death to you and those around you.

## START WITHOUT YOUR REMOTE

If you lose, misplace or have a dead battery in your remote control, your K-Power is still able to turn on and run your motor using the Kill Switch. Tapping your kill switch on the "On Switch" area of your module four times in a timed sequence will activate your module and provide your motor with about 50% power. Watch this video to learn how to do this: [www.bixpy.com/4taps](http://www.bixpy.com/4taps). This features starts and runs your K-1 Motor at 50% power only. Stop by removing the Kill Switch.

## WARP SPEED FEATURE

To run your K-Power at full speed, double-click the Forward button on your Bixpy Remote.

At any speed, press the Forward button once, then press it again and hold. You will hear a double beep, and the battery will jump to Speed 12. Press the Forward button one more time to activate Turbo Speed (13).

## SPEED 13 - TURBO SPEED

The K-Power includes a 13th speed setting on the controller. This extra boost of power is useful for getting out of tight spots or pushing through current and wind, but it will drain the battery more quickly.



Your Bixpy products are shipped sealed and are not meant to be tampered with or opened. Here are some care and maintenance instructions for your K-Power™ Module.

The K-Power Module includes built-in protection features to help safeguard itself and the K-1 Motor from battery-related issues. However, because you are using a third-party battery, it is your responsibility to ensure the battery is high quality, provides the correct voltage, and delivers safe, consistent power.

- Always read and follow the battery manufacturer's instructions for charging, use, storage, and maintenance
- Confirm your battery is within the approved voltage range and suitable for the system before use

## **Before each use:**

- Inspect the module, cables, connectors, O-rings, gaskets, and seals for wear, dirt, or damage
- Ensure the system is functioning properly before getting on the water

## **After each use:**

- Rinse with clean fresh water and allow all components to dry before storage

## **General care:**

- Keep connectors clean, dry, and free of debris before connecting
- Do not drag, sharply bend, crush, or strain cables or connectors
- Do not use paint, solvents, or harsh chemicals on the K-Power Module
- Never use WD-40 or Loctite on any Bixpy product unless specifically instructed

## **Storage & handling:**

- Do not open, modify, or tamper with the K-Power Module
- Store in a clean, dry place when not in use
- If the module, wiring, or connectors appear damaged, do not use until inspected or serviced



Bixpy warrants its hardware products against defects in materials and workmanship for a period of one (1) year from the date of original purchase, provided the product was purchased directly from Bixpy or from an authorized Bixpy dealer.

This warranty does not apply if the product has been opened, modified, misused, improperly handled, incorrectly adjusted, subjected to excessive wear, or serviced by any party not authorized by Bixpy LLC.

Bixpy products are designed for recreational consumer use only and are not covered under warranty for commercial or rental use.

This warranty does not cover transportation or shipping costs associated with service or returns.

Bixpy reserves the right to make design changes and improvements to its products without obligation to update or modify previously sold products.

For full warranty details, including exclusions and limitations, or to request service, please contact Bixpy at **1-866-249-7910**.

## **SERVICE & RETURNS**

Before returning any product, you must contact Bixpy Customer Support to discuss the issue and obtain a Return Merchandise Authorization (RMA).

Due to shipping regulations for lithium-ion batteries, returns cannot be accepted without prior authorization and proper arrangements.

For assistance, please contact: **support@bixpy.com**

## **IMPORTANT**

Bixpy does not accept walk-in service at its San Diego headquarters.

If you are local, please contact us in advance to make arrangements before bringing in any product.



## Bixpy K-Power™ Control Module Specifications

<b>Model Numbers:</b>	KP-240	
<b>Product SKU:</b>	KI-KPW-2600	
<b>Length:</b>	128 mm	5"
<b>Width:</b>	78mm	2.88"
<b>Height:</b>	62mm	2.5"
<b>Weight:</b>	298 grams	10.5 oz
<b>Recommended Battery core chemistry:</b>	Lithium-ion or LiFePO4	
<b>Nominal Voltage:</b>	25.6V	
<b>Recommended Battery capacity:</b>	15Ah to 100Ah	
<b>Water and dustproof rating:</b>	IP67	
<b>Power draw:</b>	Minimum of 15 Amps continuous draw	
<b>Input power wire guage:</b>	12 AWG	
<b>Buoyancy:</b>	Positive	
<b>Mounting options:</b>	6mm (1/4") T-Track on 3 sides	
<b>Speeds:</b>	12 speeds forward + Turbo speed 3 speeds reverse	
<b>Control:</b>	Wireless Bluetooth Controller (Bixpy Remote V4)	
<b>Contains Transmitter Module FCC ID:</b>	QOQ-BGM220S2	





Bixpy®

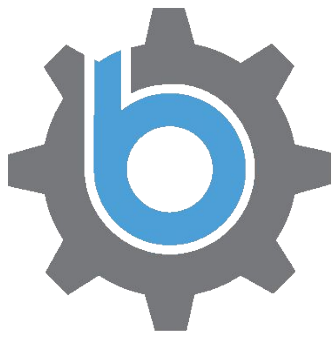
Bixpy, Bixpy Jet and the Bixpy Logo, Life Boosted brand are trademarks of Bixpy LLC. Copyright 2023®.

## **Registering your vessel**

In certain municipalities, counties, states or countries it is required that you register motorized kayaks, SUPs or canoes with your local licensing body. For example in many US states the state Department of Motor Vehicles (DMV) or the Coast Guard will require you to register your motorized kayak as a motorized vessel. Please be sure to take the necessary steps to comply with local laws and regulations that apply to your vessel once motorized. In the US a good resource to find more information is [www.takemefishing.org](http://www.takemefishing.org). For the purposes of registration or exemption from registering in certain places please note that Bixpy Jets are electric motors that produce less than 10 horse powers.

## **Product variation**

Some of the products photographed may have slight differences from the products in the package both cosmetically and functionally.



# Bixpy

LIFE BOOSTED



Manual de Usuario y Guía de Seguridad

**Bixpy K-Power™ Control Module - Adventure Series**



*Gracias por comprar un producto Bixpy. Ahora formas parte de una familia de aventureros que poseen uno de los sistemas de propulsión personal para agua más avanzados, versátiles y portátiles del mundo.*

*Los productos Bixpy combinan lo último en tecnología de motores y baterías con una ingeniería mecánica cuidadosamente diseñada para ofrecerte dispositivos que redefinen la forma en que interactúas con el entorno. Como tal, requieren un pequeño período de aprendizaje y un cuidado adicional. También incluyen funciones ocultas e información de solución de problemas que son fundamentales para el funcionamiento y el buen estado de tu dispositivo Bixpy.*

*Por ello, antes de cualquier otra cosa, y definitivamente antes de entrar al agua, POR FAVOR lee este Manual de Usuario y aprende a utilizar y cuidar tu Bixpy Power Pack. El uso indebido y la falta de cuidado pueden ser peligrosos para ti y para quienes te rodean, anular la garantía y dejar tu dispositivo inutilizable.*



El uso de un sistema de propulsión motorizado, un propulsor o un dispositivo alimentado por batería en el agua conlleva riesgos inherentes. Estos riesgos no siempre pueden preverse o evitarse y pueden incluir lesiones graves, muerte o daños a tu equipo u otras propiedades. Los peligros pueden incluir pérdida de control, colisiones con otras embarcaciones o nadadores, contacto con objetos sobre o bajo el agua, fauna o condiciones ambientales cambiantes.

Al elegir utilizar un producto Bixpy, aceptas estos riesgos. Es tu responsabilidad operar tu embarcación de forma segura, cumplir con todas las leyes de navegación y normas de seguridad acuática aplicables, y utilizar y mantener correctamente tu producto Bixpy para ayudar a reducir posibles peligros. Debido a que cada situación en el agua es diferente y a menudo impredecible, Bixpy no puede garantizar la seguridad ni el rendimiento de sus productos en todas las condiciones.

## TU RESPONSABILIDAD

Al comprar o utilizar cualquier producto o accesorio Bixpy, reconoces y aceptas que:

- Entiendes los riesgos involucrados y eliges usar el producto de forma voluntaria.
- Utilizarás buen juicio y operarás tu embarcación de manera responsable.
- Leerás y seguirás todas las instrucciones de seguridad proporcionadas en este manual, en el sitio web de Bixpy y en cualquier material relacionado.

## RENUNCIA Y EXENCIÓN DE RESPONSABILIDAD

En la máxima medida permitida por la ley, aceptas que:

- Eres responsable de tu uso de los productos Bixpy.
- Bixpy (incluyendo sus empleados, socios y distribuidores) no será responsable por ninguna lesión, muerte o daño a la propiedad resultante del uso o mal uso de sus productos.
- Aceptas no presentar reclamaciones contra Bixpy relacionadas con dichos incidentes.
- También aceptas cubrir cualquier costo o reclamación presentada contra Bixpy como resultado de tu uso o mal uso del producto.

## NOTAS LEGALES

- Este acuerdo está destinado a ser lo más amplio permitido por la ley. Si alguna parte se considera inaplicable, el resto seguirá en pleno vigor.
- Al utilizar productos Bixpy, renuncias a ciertos derechos legales.

### Residentes de California:

También renuncias a los derechos bajo la Sección 1542 del Código Civil de California, que establece:

*“Una liberación general no se extiende a reclamaciones que la persona no conoce o no sospecha que existen en su favor en el momento de otorgar la liberación.”*

## SEGURO

Es posible que tu seguro no cubra incidentes relacionados con embarcaciones motorizadas o equipos asociados. Recomendamos consultar con tu proveedor de seguros antes de su uso.

## IMPORTANTE

Al comprar o utilizar un producto Bixpy, confirmas que has leído, entendido y aceptado estos términos.

**Si no estás de acuerdo, no utilices productos Bixpy.**



Por favor lee y conserva estas advertencias para futura referencia. El uso y mantenimiento inadecuados de tus productos Bixpy pueden resultar en la pérdida de la garantía, daños a la propiedad, lesiones graves o la muerte.

**NUNCA** te alejes más de lo que puedas nadar, remar o pedalear de regreso por tu cuenta de forma segura. Como cualquier dispositivo electrónico, tu producto Bixpy puede dejar de funcionar inesperadamente. Úsalo siempre de manera que garantice tu seguridad en caso de que esto ocurra.

Si el propulsor no se detiene, retíralo del agua lo antes posible y desconecta la alimentación. En caso de emergencia, abandona el dispositivo si es necesario—tu seguridad es lo primero.

## PAUTAS IMPORTANTES DE SEGURIDAD

- **NUNCA** cargues las baterías sin supervisión
- **NUNCA** operes bajo la influencia de drogas o alcohol
- **NUNCA** expongas conectores sin protección al agua; utiliza siempre tapas cuando no estén conectados
- **NUNCA** uses lubricantes, WD-40, Loctite u otros productos similares en componentes Bixpy
- **NUNCA** conectes baterías de litio en paralelo (riesgo de incendio o explosión)
- **NUNCA** uses Bixpy K-Power™ para alimentar otros dispositivos o motores
- Los niños deben usar el producto solo bajo la supervisión de un adulto
- Usa siempre un chaleco salvavidas (PFD) aprobado
- Enjuaga con agua dulce después de usar en agua salada
- Almacena entre 0°C–55°C (32°F–131°F)
- Opera entre -20°C–60°C (-4°F–140°F)
- No uses productos químicos agresivos para la limpieza
- No abras, modifiques ni manipules ningún producto Bixpy (anula la garantía y puede causar incendio o explosión)
- No dejes las baterías o el módulo K-Power bajo la luz solar directa o dentro de un vehículo estacionado por períodos prolongados

Como cualquier dispositivo, pueden ocurrir fallas, daños o descarga de la batería. Opera siempre de manera que garantice tu seguridad y la de otros si esto sucede.

Los manuales de usuario están siempre disponibles en: [www.bixpy.com/guides](http://www.bixpy.com/guides)

Al usar cualquier producto Bixpy, aceptas la sección de **Seguridad, Responsabilidad y Exención de Responsabilidad** del Manual de Usuario completo y en: [www.bixpy.com/legal](http://www.bixpy.com/legal)

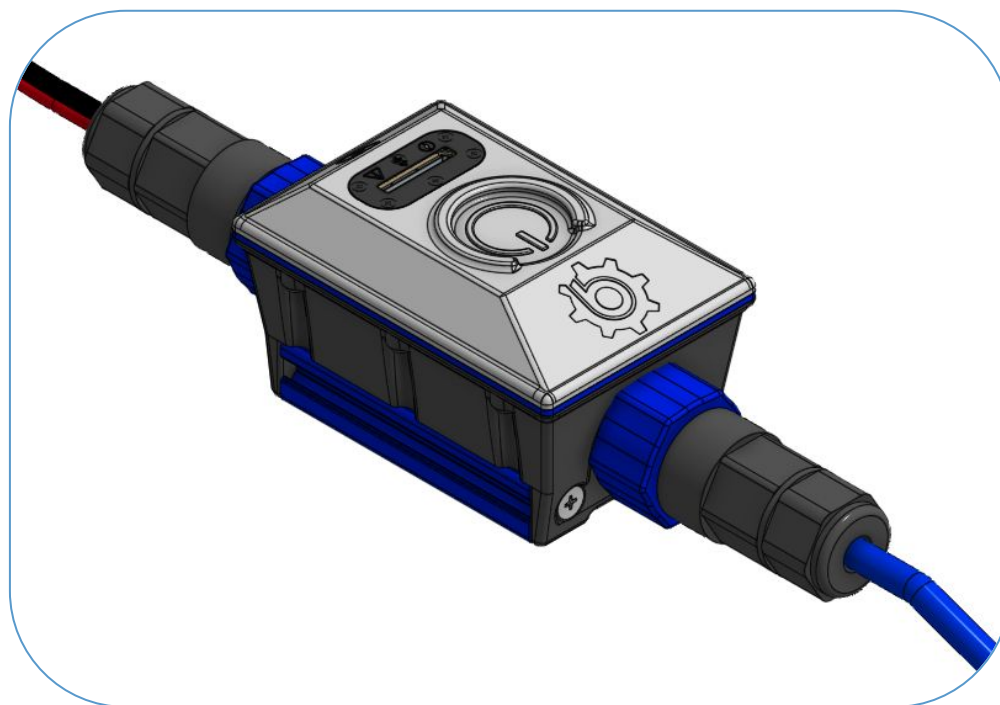


Las primeras veces que conectes tu dispositivo, los conectores pueden sentirse ajustados mientras se “asientan”. No uses fuerza, pinzas ni herramientas para unir los conectores. En su lugar, ten paciencia y utiliza una toalla para mejorar el agarre si es necesario. Apretarlos en exceso no mejorará el sellado contra el agua, y los conectores dañados no están cubiertos por la garantía.

Como buena práctica, aplica grasa dieléctrica a los conectores antes de unirlos, especialmente si utilizas el equipo en o cerca de agua salada.

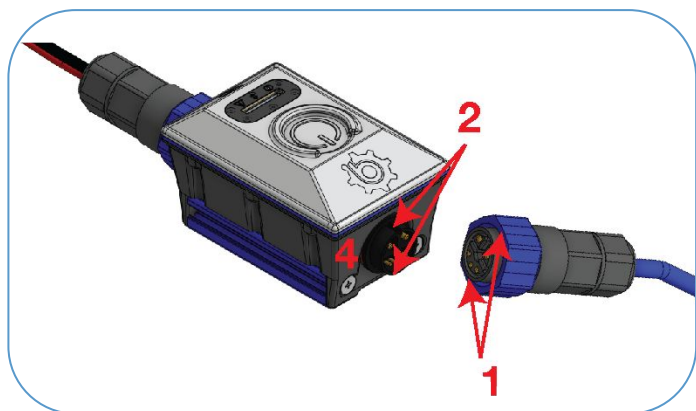
Las tapas de los conectores en la carcasa del K-Power y en los cables del motor están diseñadas para protegerlos durante el almacenamiento y el transporte. Retira las tapas de los conectores que se vayan a sumergir, ya que pueden soltarse y perderse con el movimiento del agua. Asegúrate siempre de que las tapas de los puertos de carga y de salida principal de energía estén bien colocadas cuando estés cerca del agua.

**Nota:** Nunca cubras ni almacenes un conector húmedo.





## CONEXIÓN DEL MOTOR AL MÓDULO DE CONTROL K-POWER™



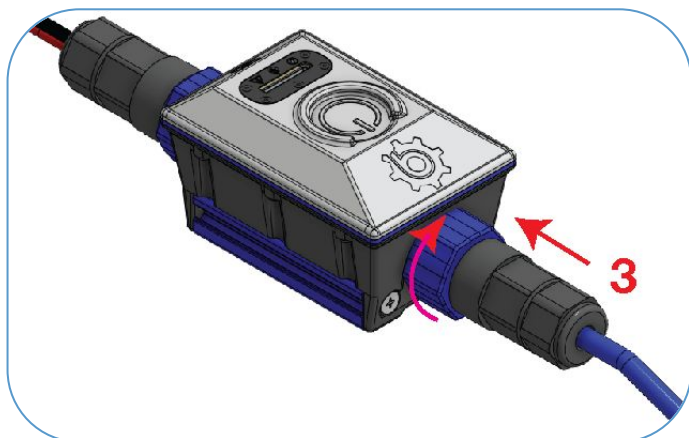
Alinea las dos pestañas del conector de tu motor (1) con las dos muescas (2) del conector de salida de tu módulo K-Power™ (4).



*Consejo:* Busca las dos pestañas dentro de la tuerca del conector. Siempre verifica que el o-ring rojo esté en su lugar antes de conectar. Usa grasa dieléctrica para facilitar la conexión y prolongar la vida útil de los conectores al reducir la corrosión. Alinea las dos pestañas del conector de tu motor (1) con las dos muescas (2) del conector de salida de tu módulo K-Power™ (4).



**Consejo:** Mira este video instructivo: [www.bixpy.com/connect](http://www.bixpy.com/connect)



Empuja el conector del adaptador (3) dentro del conector del motor del módulo (4).

Gira la tuerca del conector 175° hasta que sientas que hace “clic” y queda bloqueada en su lugar.



**ADVERTENCIA:** TUS CONECTORES BIXPY SON IMPERMEABLES SOLO CUANDO ESTÁN CORRECTAMENTE CONECTADOS y SOLO RESISTENTES A SALPICADURAS CUANDO ESTÁN EXPUESTOS.

Siempre conecta o coloca las tapas en los conectores para protegerlos contra cortocircuitos y corrosión.



Tu control remoto Bluetooth Bixpy se conecta a tu módulo K-Power mediante tecnología Bluetooth. Solo los controles remotos Bixpy con el logotipo de Bluetooth podrán sincronizarse con tu módulo K-Power. Los controles remotos Bixpy más antiguos no son compatibles con el módulo K-Power.

Para verificar si tu control remoto y el módulo ya están sincronizados, activa tu K-Power utilizando el interruptor de seguridad (kill switch). Luego presiona únicamente el botón de detener (Stop). Si escuchas una serie de pitidos, significa que tu control ya está sincronizado con el módulo K-Power.

Para sincronizar tu control remoto con tu módulo K-Power, activa el módulo suministrándole energía. Dentro de los 20 segundos posteriores a la activación, sigue la siguiente secuencia de botones rápidamente:

Presiona Stop	3 veces
Presiona Forward	1 vez
Presiona Reverse	1 vez
Presiona Stop	1 vez



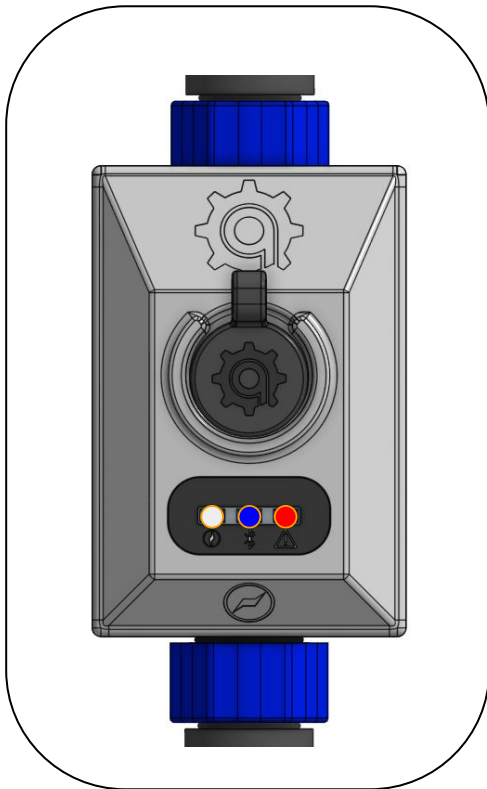
Si la sincronización es exitosa, escucharás una serie de pitidos provenientes de la batería al presionar el último botón. Si no, retira el interruptor de seguridad (Kill Switch), espera 10 segundos e inténtalo nuevamente.

El control remoto Bixpy utiliza una batería tipo botón CR2032, la cual es fácil de conseguir en línea o en muchas tiendas. Si la luz LED roja de tu control es muy tenue o no se enciende al presionar los botones, deberás reemplazar la batería. Haz clic aquí (o visita: [www.bixpy.com/remotebattery](http://www.bixpy.com/remotebattery)) para ver un video sobre cómo cambiar la batería de tu control remoto.



Tu módulo Bixpy K-Power se enciende y apaga utilizando el interruptor magnético de seguridad (Kill Switch) con su correa incluida. Lleva siempre puesto el Kill Switch y su correa en tu cuerpo en TODO MOMENTO en caso de caída accidental al agua.

El LED blanco de tu módulo se encenderá al conectarlo a una fuente de energía. Esto es normal. Sin embargo, el módulo no estará completamente encendido ni listo para operar el motor hasta que coloques el Kill Switch en el área de encendido.



Colocar el interruptor de seguridad (Kill Switch) en tu módulo encenderá el sistema, lo cual se indicará en la ventana LED mediante una luz blanca.

Un módulo activo mostrará una luz LED blanca para indicar alimentación y una luz LED azul para la conectividad Bluetooth. La luz azul se apagará una vez que el proceso de arranque haya finalizado, pero el módulo permanecerá encendido mientras el Kill Switch esté colocado.

La luz LED azul permanecerá encendida durante 20 segundos después del encendido inicial. Este es tu período de conectividad y la oportunidad para sincronizar un control remoto con tu módulo o conectarlo a una aplicación móvil si es necesario.

Con el Kill Switch colocado, el motor conectado y el control remoto sincronizado, podrás operar el motor utilizando tu control remoto Bluetooth.

Presiona el botón Forward en tu control para acelerar (hasta 13 velocidades hacia adelante) o reducir la velocidad con 3 niveles en reversa.

Usa el botón Stop en tu control remoto para detener el motor.



Tu Bixpy K-Power™ está equipado con un sofisticado sistema de gestión de energía para proporcionar potencia eficiente a tu motor, ayudarte a mantenerte seguro y ofrecer retroalimentación sobre el estado del sistema. La siguiente tabla muestra las funciones de los indicadores LED, su significado y cómo actuar en cada caso.

LED Lights		What it means	What you can do
BLANCO FIJO		El módulo está encendido y listo para usarse y operar el motor.	Colocar el interruptor de seguridad (Kill Switch) encenderá el sistema y estarás listo para operar tu motor Bixpy.
BLANCO FIJO + ROJO		<ul style="list-style-type: none"> <li>• Motor desconectado</li> <li>• Problema de conexión</li> <li>• Problema de cableado</li> </ul>	<ul style="list-style-type: none"> <li>• Verifica tu conexión</li> <li>• Revisa los conectores en busca de daños</li> <li>• Revisa el cable del motor en busca de daños</li> </ul>
ROJO FIJO		<ul style="list-style-type: none"> <li>• Voltaje de batería bajo</li> </ul>	Reemplaza la batería por una de 24V o carga la batería
BLANCO FIJO + ROJO INTERMITENTE		<ul style="list-style-type: none"> <li>• Controlador del motor dañado</li> <li>• El motor está consumiendo demasiada energía — sobrecarga</li> </ul>	<ul style="list-style-type: none"> <li>• Verifica que la hélice esté limpia y libre de residuos, e intenta nuevamente.</li> <li>• Revisa los conectores del motor en busca de daños en los pines causados por arco eléctrico.</li> </ul>
TODOS INTERMITENTES		Esto indica que la fuente de energía o batería conectada es superior a 30V.	Retira la fuente de alimentación de inmediato y reemplázala por una fuente de 24V
BLANCO FIJO + AZUL FIJO		El módulo está transmitiendo señal Bluetooth — listo para sincronizar el control remoto o conectarse a la aplicación móvil.	Tu módulo está listo para emparejarse con tu teléfono a través de la aplicación Bixpy o con tu control remoto Bluetooth Bixpy.
BLANCO FIJO + UN DESTELLO AZUL		El módulo se está comunicando con tu control remoto — un destello por cada cambio de velocidad, acompañado de un pitido audible.	¡Todo está funcionando correctamente!



*Si tu módulo muestra una luz de error o una señal de advertencia, puedes intentar borrar el error usando tu control remoto (solo después de haber eliminado la causa del problema).*

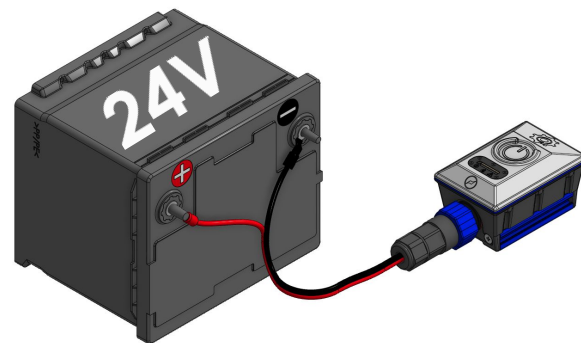
*Presiona el botón **\*\*Stop\*\*** una vez y luego inmediatamente otra vez, manteniéndolo presionado hasta que escuches un pitido y el error se borre.*



El K-Power está diseñado para usarse únicamente con sistemas de baterías de 24V. La batería debe proporcionar un voltaje de operación entre 22V y 30V y ser capaz de suministrar al menos 15 amperios de corriente.

Para un mejor rendimiento general, Bixpy recomienda utilizar una batería LiFePO4 de 24V. Las baterías de 24V de iones de litio también son aceptables y funcionan bien.

Para ver una lista de baterías recomendadas, visita: [www.bixpy.com/24V](http://www.bixpy.com/24V)



## BUENO SABER:

Las baterías SLA / de plomo-ácido no son recomendadas. Estas baterías suelen experimentar una mayor caída de voltaje bajo carga, lo que puede hacer que el sistema entre en Modo Seguro y reduzca el rendimiento del motor.



## ADVERTENCIA:

El uso de una batería por debajo de 22V puede hacer que el sistema se apague o entre en Modo Seguro. El uso de una batería por encima de 30V puede dañar el módulo K-Power y el motor.

## TABLA DE REQUISITOS DE BATERÍA PARA EL K-POWER™

Requirement	Specification
Tipo de batería	Sistema de batería nominal de 24V
Voltaje de operación	22V a 30V
Capacidad de corriente	Salida continua mínima de 15A
Química recomendada	LiFePO4 de 24V o iones de litio
Tipos de conectores en el cable K-Power	Conectores tipo O ring de 6 mm
Negativo (-)	Al cable <b>NEGRO</b> del cable K-Power
Positivo (+)	Al cable <b>ROJO</b> del cable K-Power



La aplicación Bixpy te permite conectarte a tu K-Power™ y a tu control remoto Bixpy (V4 y superiores), y mantener tus dispositivos actualizados con el firmware más reciente y confiable. Actualizar el firmware suele ser la mejor manera de solucionar problemas con tu producto.

Actualizar tu dispositivo es fácil. Sigue los pasos a continuación para conectarte a tu dispositivo y actualizar el firmware.

EN TU TELÉFONO	ON K-POWER™	ON REMOTE (V4 or later)
Abre la aplicación Bixpy		
Ve a la pestaña “DEVICES”		
Presiona el botón azul “DISCOVER” en la esquina inferior derecha	Conecta tu K-Power a la batería — tu K-Power transmitirá automáticamente una señal de emparejamiento durante 20 segundos.	Mantén presionado el botón STOP en tu control remoto durante 10 segundos. Si tiene éxito, tu control entrará en modo de emparejamiento.
Busca tu dispositivo en la lista de dispositivos disponibles	Tu K-Power debería aparecer en la lista de dispositivos a los que puedes conectarte en la aplicación.	Tu control remoto Bixpy debería aparecer en la lista de dispositivos a los que puedes conectarte en la aplicación.
Cuando veas el dispositivo al que deseas conectarte, presiona su ícono	Tu K-Power se conectará a la aplicación de tu teléfono en breve.	Tu batería Bixpy se conectará a la aplicación de tu teléfono en breve.
Una vez conectado, verás el estado de tu dispositivo y si hay una nueva versión de firmware disponible. Si está disponible, actualiza tu dispositivo presionando <b>“UPGRADE AVAILABLE”</b>	Deja tu dispositivo sin manipular y cerca de tu teléfono hasta que el proceso de actualización se complete. Una vez finalizado, tu dispositivo se reconectará automáticamente a la aplicación y mostrará que está <b>“UP TO DATE”</b> .	Deja tu dispositivo sin manipular y cerca de tu teléfono hasta que el proceso de actualización se complete. Una vez finalizado, tu dispositivo se reconectará automáticamente a la aplicación y mostrará que está <b>“UP TO DATE”</b> .
Si este procedimiento falla por cualquier motivo, reinicia la aplicación y comienza el proceso nuevamente.		
Para ver un video demostrativo del procedimiento anterior, presiona el botón verde “INFO” en la esquina inferior derecha de tu aplicación.		



Mantén siempre tus productos actualizados con el firmware más reciente utilizando la aplicación Bixpy.

Escanea este código para descargar la aplicación Bixpy en tu teléfono.



Tu módulo de control K-Power™ ha sido diseñado con funciones realmente innovadoras que lo convierten en una batería externa única, ideal para pequeñas embarcaciones.

## TU INTERRUPTOR DE SEGURIDAD (KILL SWITCH)

El interruptor de seguridad (Kill Switch) está diseñado para protegerte en caso de un accidente en el que tú y tu embarcación se separen. Asegúrate siempre de llevar el Kill Switch sujeto a tu cuerpo de alguna manera. De este modo, si te separas de la embarcación, el motor se detendrá de inmediato. No usar el Kill Switch puede provocar lesiones graves o la muerte, tanto para ti como para quienes te rodean.

## ENCENDER SIN EL CONTROL REMOTO

Si pierdes, extravías o tu control remoto se queda sin batería, tu K-Power aún puede encenderse y operar tu motor utilizando el interruptor de seguridad (Kill Switch). Al tocar el Kill Switch cuatro veces en secuencia sobre el área de encendido (“On Switch”) de tu módulo, se activará el sistema y proporcionará aproximadamente un 50% de potencia al motor. Mira este video para aprender cómo hacerlo:

\*\*[[www.bixpy.com/4taps](http://www.bixpy.com/4taps)](<http://www.bixpy.com/4taps>)\*\*.

Esta función solo permite arrancar y operar tu motor K-1 al 50% de potencia. Para detenerlo, retira el Kill Switch.

## FUNCIÓN WARP SPEED

Para operar tu K-Power a máxima velocidad, haz doble clic en el botón Forward de tu control remoto Bixpy.

A cualquier velocidad, presiona el botón Forward una vez, luego presiónalo nuevamente y mantenlo presionado. Escucharás un doble pitido y la batería pasará a la Velocidad 12. Presiona el botón Forward una vez más para activar la velocidad Turbo (13).

## VELOCIDAD 13 - VELOCIDAD TURBO

El K-Power incluye un ajuste de velocidad número 13 en el controlador. Este impulso adicional de potencia es útil para salir de espacios reducidos o avanzar contra la corriente y el viento, pero consumirá la batería más rápidamente.



Tus productos Bixpy se envían sellados y no están diseñados para ser manipulados ni abiertos. A continuación, se presentan algunas instrucciones de cuidado y mantenimiento para tu módulo K-Power™.

El módulo K-Power incluye funciones de protección integradas para ayudar a protegerse a sí mismo y al motor K-1 de problemas relacionados con la batería. Sin embargo, debido a que utilizas una batería de terceros, es tu responsabilidad asegurarte de que sea de alta calidad, proporcione el voltaje correcto y entregue energía segura y constante.

- Lee y sigue siempre las instrucciones del fabricante de la batería para su carga, uso, almacenamiento y mantenimiento
- Confirma que tu batería esté dentro del rango de voltaje aprobado y sea adecuada para el sistema antes de usarla

## **Antes de cada uso:**

- Inspecciona el módulo, cables, conectores, O-rings, juntas y sellos en busca de desgaste, suciedad o daños
- Asegúrate de que el sistema funcione correctamente antes de entrar al agua

## **Después de cada uso:**

- Enjuaga con agua dulce limpia y deja que todos los componentes se sequen antes de almacenarlos

## **Cuidado general:**

- Mantén los conectores limpios, secos y libres de residuos antes de conectarlos
- No arrastres, dobles bruscamente, aplastes ni sometas a tensión los cables o conectores
- No uses pintura, solventes ni productos químicos agresivos en el módulo K-Power
- Nunca uses WD-40 o Loctite en ningún producto Bixpy, salvo que se indique específicamente

## **Almacenamiento y manejo:**

- No abras, modifiques ni manipules el módulo K-Power
- Guárdalo en un lugar limpio y seco cuando no esté en uso
- Si el módulo, el cableado o los conectores presentan daños, no lo utilices hasta que haya sido inspeccionado o reparado



Bixpy garantiza sus productos de hardware contra defectos de materiales y fabricación por un período de un (1) año a partir de la fecha de compra original, siempre que el producto haya sido adquirido directamente de Bixpy o de un distribuidor autorizado de Bixpy.

Esta garantía no se aplica si el producto ha sido abierto, modificado, mal utilizado, manipulado incorrectamente, ajustado de forma inadecuada, sometido a desgaste excesivo o reparado por cualquier persona no autorizada por Bixpy LLC.

Los productos Bixpy están diseñados únicamente para uso recreativo y no están cubiertos por la garantía en aplicaciones comerciales o de alquiler.

Esta garantía no cubre los costos de transporte o envío asociados con el servicio o las devoluciones.

Bixpy se reserva el derecho de realizar cambios de diseño y mejoras en sus productos sin obligación de actualizar o modificar productos previamente vendidos.

Para obtener detalles completos de la garantía, incluidas exclusiones y limitaciones, o para solicitar servicio, comunícate con Bixpy al **1-866-249-7910**.

## **SERVICIO Y DEVOLUCIONES**

Antes de devolver cualquier producto, debes comunicarte con el servicio de atención al cliente de Bixpy para analizar el problema y obtener una Autorización de Devolución de Mercancía (RMA).

Debido a las regulaciones de envío para baterías de iones de litio, no se aceptarán devoluciones sin autorización previa y sin los arreglos adecuados.

Para asistencia, comunícate a: **[support@bixpy.com](mailto:support@bixpy.com)**

## **IMPORTANTE**

Bixpy no acepta atención sin cita previa en su sede de San Diego.

Si te encuentras en la zona, por favor contáctanos con anticipación para coordinar antes de llevar cualquier producto.



## Especificaciones del Módulo de Control Bixpy K-Power™

<b>Números de modelo:</b>	KP-240
<b>SKU del producto:</b>	KI-KPW-2600
<b>Longitud:</b>	128 mm
<b>Ancho:</b>	78 mm
<b>Altura:</b>	62 mm
<b>Peso:</b>	298 gramos
<b>Química de batería recomendada:</b>	Iones de litio o LiFePO4
<b>Voltaje nominal:</b>	25.6V
<b>Capacidad de batería recomendada:</b>	15Ah a 100Ah
<b>Clasificación de protección contra agua y polvo:</b>	IP67
<b>Consumo de energía:</b>	Mínimo de 15 amperios continuos
<b>Calibre del cable de entrada de energía:</b>	12 AWG
<b>Flotabilidad:</b>	Positiva
<b>Opciones de montaje:</b>	Riel T-Track de 6 mm en 3 lados
<b>Velocidades:</b>	12 velocidades hacia adelante + velocidad Turbo 3 velocidades en reversa
<b>Control:</b>	Inalámbrico Bluetooth (Bixpy Remote V4)
<b>Contiene módulo transmisor FCC ID:</b>	QOQ-BGM220S2





## **Bixpy®**

Bixpy, Bixpy Jet y el logotipo de Bixpy, así como la marca Life Boosted, son marcas registradas de Bixpy LLC. Copyright 2023®.

## **Registro de tu embarcación**

En ciertos municipios, condados, estados o países, es obligatorio registrar kayaks, tablas SUP o canoas motorizadas ante la autoridad local correspondiente. Por ejemplo, en muchos estados de EE. UU., el Departamento de Vehículos Motorizados (DMV) o la Guardia Costera pueden requerir que registres tu kayak motorizado como una embarcación motorizada. Asegúrate de tomar las medidas necesarias para cumplir con las leyes y regulaciones locales que aplican a tu embarcación una vez que esté motorizada. En EE. UU., un buen recurso para obtener más información es: [www.takemefishing.org](http://www.takemefishing.org). Para fines de registro o exención en ciertos lugares, ten en cuenta que los motores Bixpy son eléctricos y producen menos de 10 caballos de fuerza.

## **Variación del producto**

Algunos de los productos mostrados en las imágenes pueden presentar ligeras diferencias con respecto a los productos incluidos en el paquete, tanto en apariencia como en funcionalidad.